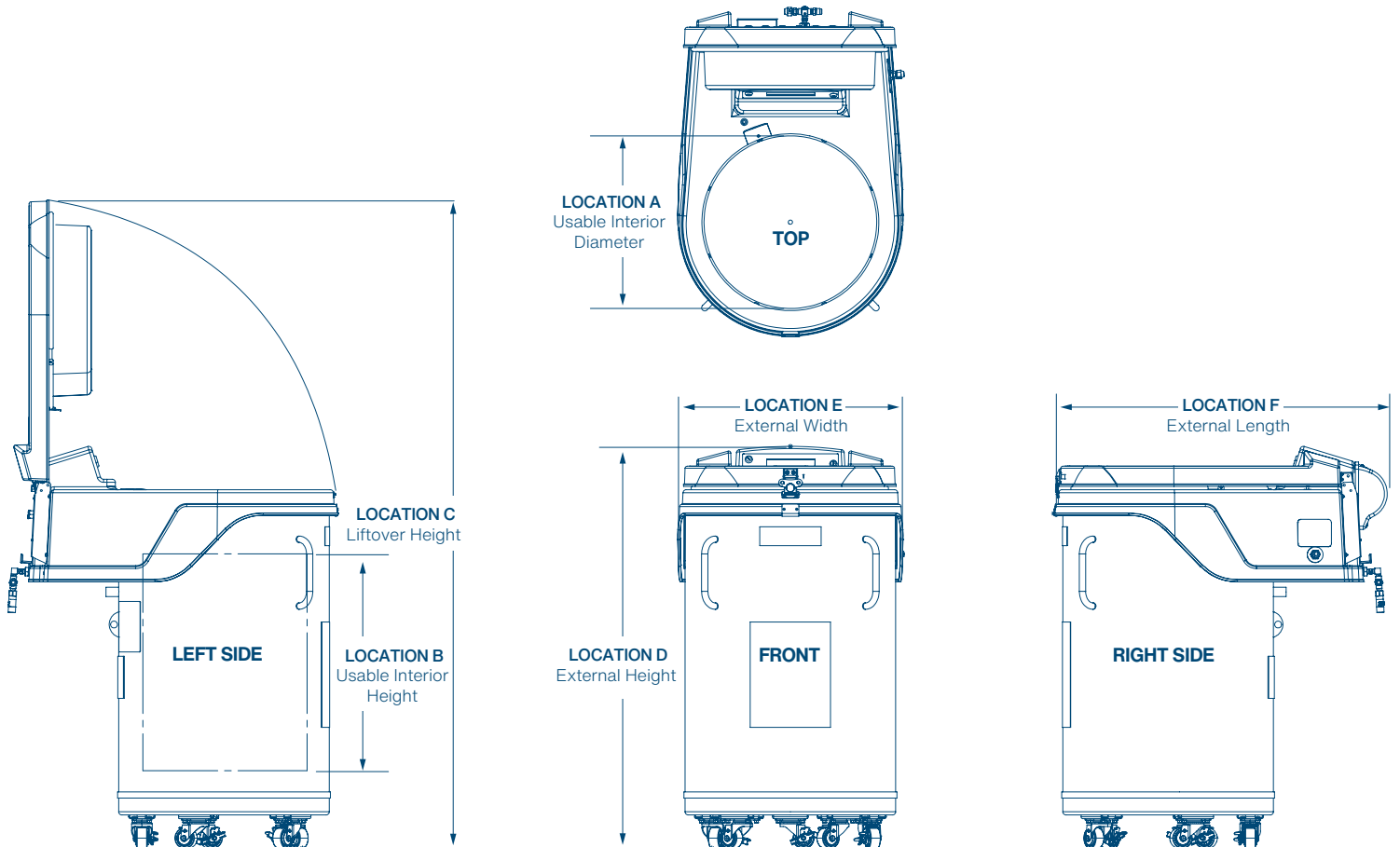


## Unit Dimensions

Model	V-1500AB	V-3000AB	V-5000AB	V-3000ABEH	V-5000ABEH	V-3000AB-C	V-5000AB-C	V-3000ABEH-C	V-5000ABEH-C
<b>Location F: External Length mm (in.)</b>	1005.8 (39.6)	1277.6 (50.3)	1450.3 (57.1)*	1277.6 (50.3)	1450.3 (57.1)*	1259.8 (49.6)	1445.3 (56.9)	1259.8 (49.6)	1445.3 (56.9)
<b>Location E: External Width mm (in.)</b>	675.6 (26.6)	955 (37.6)	1371.6 (54)*	955 (37.6)	1371.6 (54)*	970.3 (38.2)	1191.3 (46.9)	970.3 (38.2)	1191.3 (46.9)
<b>Location A: Usable Interior Diameter mm (in.)</b>	533.4 (21)	787.4 (31)	1016 (40)	787.4 (31)	1016 (40)	736.6 (29)	965.2 (38)	736.6 (29)	965.2 (38)
<b>Location D: External Height mm (in.)</b>	1211.6 (47.7)	1249.7 (49.2)	1430 (56.3)*	1463 (57.6)	1551.9 (61.1)*	1292.9 (50.9)*	1475.7 (58.1)*	1582.4 (62.3)*	1602.7 (63.1)*
<b>Location B: Usable Interior Height mm (in.)</b>	736.6 (29)	736.6 (29)	736.6 (29)	939.8 (37)	863.6 (34)	685.8 (27)	736.6 (29)	914.4 (36)	863.6 (34)
<b>Location C: Liftover Height mm (in.)</b>	1965.9 (77.4)	2278.4 (89.7)	2578.1 (101.5)	2491.7 (98.1)	2700 (106.3)	-	-	-	-
<b>Weight Empty kg (lbs.)**</b>	173.7 (383)	326.6 (720)	498.9 (1100)	366.5 (808)	565.6 (1247)	326.6 (720)	498.9 (1100)	366.5 (808)	565.6 (1247)
<b>Weight Liquid Full kg (lbs.)**</b>	197.9 (436.4)	383.1 (844.6)	574.1 (1265.7)	438.4 (966.5)	678.8 (1496.4)	383.1 (844.7)	574.1 (1265.7)	438.4 (966.5)	678.8 (1496.4)

\*Dimensions include clamshell controller.

\*\*Dimensions are for reference only.

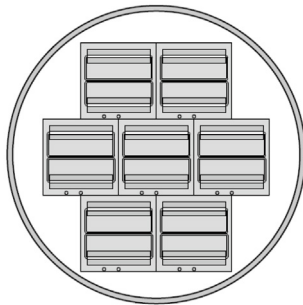


# Technical Data Sheet Isothermal V-Series

## Cryogenic Dry-Vapor Freezers

### Storage Capacity

Model	V-1500AB	V-3000AB	V-5000AB	V-3000ABEH	V-5000ABEH	V-3000AB-C	V-5000AB-C	V-3000ABEH-C	V-5000ABEH-C
LN2 Capacity (L)	30	70	93	89	140	70	93	89	140
Vials Capacity (2 mL)	9,100	22,100	40,300	25,500	46,500	16,800	36,400	21,000	42,000
Cryobag Capacity (50 mL)	434	1,120	1,936	1,280	2,208	792	1,638	1,056	1,872



V-1500AB Square Rack configuration with capacity of 9,100 (2 mL) vials



- Storage Chamber
- Vacuum Space
- Liquid Nitrogen Jacket

Isothermal V-Series Interior View



3303 Monte Villa Parkway  
Suite 310  
Bothell, WA 98021 USA

T +1.866.424.6543  
T +1.800.523.0072 Sales  
F +1.425.402.1433  
E sales@custombiogenics.com

BioLifeSolutions.com

©2023 CBS Cryogenic Solutions,  
a part of BioLife Solutions.

All Rights Reserved.

Storage Solutions

DS-CBS-220474\_R01